

Saeco® SIN 029



Cod.10002307-2760-61-90
Cod.2800-01-2970-71-3076

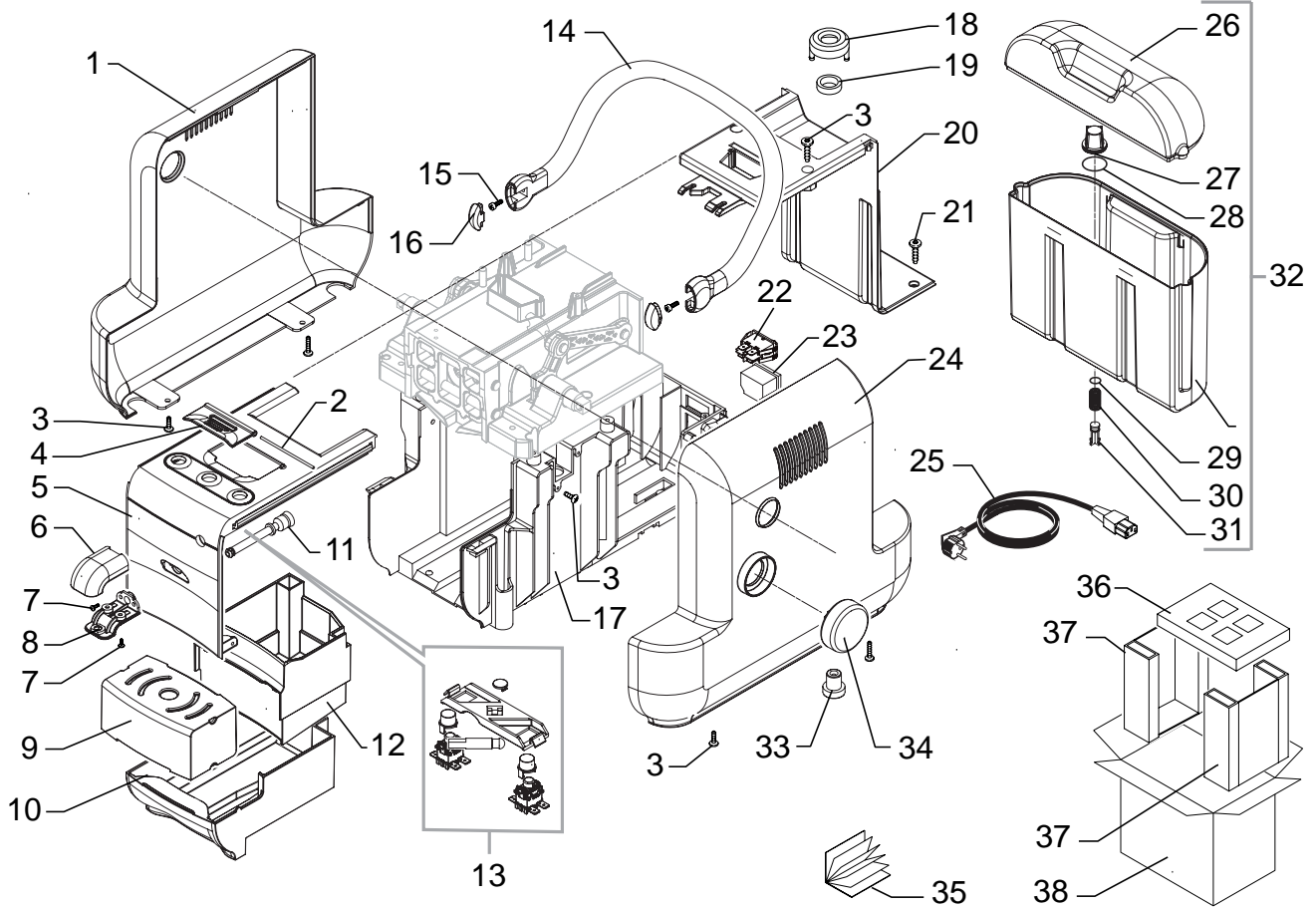
POS	CODICE	DESCRIZIONE	NOTE	POS	CODE	DESCRIPTION	NOTE
01	11008346	CARC.LAT.SX P604 NER.SER.SAECO EXTRA		01	11008346	BLACK LEFT SIDE CASING P604 S/SCR.EXTRA	
	11011305	CARC.LAT.SX P604 BIA.SER.SAECO EXTRA			11011305	WHITE LEFT SIDE CASING P604 S/SCR.EXTRA	
02	11007438	PERNO SPORT.COPERT.SUP.CARC.P604 ACC.		02	11007438	STEEL PIN UPPER COVER CASING DOOR P604	
03	129912104	VITE TORX 4X10 FILET.9786 ZINC.NERO		03	129912104	SCREW TORX 4X10 UNI 9786 GALVANIZED	
04	11007931	SPORTELO.COPERT.SUP.CARC.P604 VERN.ARG.		04	11007931	SILVER UPPER COVER CASING DOOR P604	
05	11008047	COPERTURA SUP.CARC.P604/M ARG.SER.		05	11008047	SILVER UPPER COVER CASING P604/M S/SCR.	
06	11007489	COPERTURA EROGAT.CAFF.P604 CROM.		06	11007489	CHROMED COFFEE DISPENSER COVER P604	
07	U110.010	VITE AUT.TCB 2,9X6,5 DIN 7981 F INOX		07	U110.010	SCREW AUT.TCB 2,9X6,5 DIN 7981 F	
08	11007461	SUPPORTO EROGATORE CAFFE' P604 NERO		08	11007461	BLACK COFFEE DISPENSER SUPPORT P604	
09	11007927	GRIGLIA VASCA REC.ACQUA P604 VERN.ARG.		09	11007927	SILVER GRATE FOR DRIP TRAY P604	
10	11007928	VASCA RECUPERO ACQUA P604 VERN.ARG.		10	11007928	SILVER DRIP TRAY P604	
11	11007463	CONVOGLIATORE USCITA CAFFE' P604 NERO		11	11007463	BLACK COFFEE OUTLET CONVEYOR P604	
12	11007929	CAS.RACC.CAPSULE USATE P604 VERN.ARG.		12	11007929	SILVER DUMP BOX P604	
13	11008048	AS.SUPPORTO TASTI P604/M NER/ARG	230V	13	11008048	BLACK/SILVER BUTTONS SUPPORT P604/M ASSY	230V
	11013618	AS.SUPPORTO TASTI P604/M NER/ARG.	120V - TWN		11013618	BLACK/SILV.BUTTONS SUPP.P604/M ASSY	120V - TWN
14	11007454	IMPUGNAT.APRI/CHIUDI MECH.P604 ALLLUM.		14	11007454	ALLUM.HANDLE FOR MECH.P604	
15	UN5931-5X25Z	VITE M 5X25 ZINCATO		15	UN5931-5X25Z	SCREWS M 5X25 GALVANISED	
16	11007488	TAPPO IMPUGN.APRI/CHIUDI MECH.P604 CROM.		16	11007488	CHROMED CAP FOR HANDLE MECH.P604	
17	11007933	FONDO CARC+STRUT.CENTR.P604 VERN.ARG.		17	11007933	SILVER CASING BOTTOM P604	
	11013665	FONDO CARC+STRUT.CENTR.V2 P604 VER.ARG	TWN		11013665	SILVER CASING BOTTOM V2 P604	TWN
18	0701.031.150	COPERTURA GUARNIZIONE GRIGIO		18	0701.031.150	SEAL COVER GREY	
19	145842900	GUARNIZ.GACO DIM 14 X VALV.CONTEN.ACQUA		19	145842900	WATER CONTAIN.VALVE SEAL GACO DIM14	
20	11007932	COPERTURA POST.CARC.P604 VERN.ARG.		20	11007932	SILVER BACK CASING COVER P604	
21	129912521	VITE TORX 3,5X14 FILET.9786 INOX		21	129912521	SCREW TORX 3,5X14 UNI 9786 S.STEEL	
22	NE03.038	INTERRUTTORE BIPOLARE FUSIT C1250AR		22	NE03.038	BIPOLAR SWITCH FUSIT C1250AR	
23	12000280	PRESA A VASCHETTA C/SMUSSI EN 60320 C 13		23	12000280	CUP SOCKET EN 60320 C 13	
24	11007431	CARC.LAT.DX P604 NER.		24	11007431	BLACK RIGHT SIDE CASING P604	
	11011300	CARC.LAT.DX P604 BIA.			11011300	WHITE RIGHT SIDE CASING P604	
25	183911050	CAVO AL.SCHUKO 3X1 H05VV-F NERO L=1200MM		25	183911050	POWER CABLE SCHUKO BLACK L=1200MM	
	183970350	CAVO ALIM.UK H05VV-F 3X1 NERO L=1200MM			183970350	BLACK POWER CAB. UK 3X1 H05VV-F L=1200MM	
	183940650	CAVO AL.AUSTRAL.3X1 H05VV-F NERO L=1200MM			183940650	BLACK POWER CABLE AUSTRALIA L=1200MM	
	11004246	CAVO AL.TAIWAN HVCTF 3X2 C/C NER.L=1200MM			11004246	BLACK POWER CABLE TAIWAN HVCTF L=1200MM	
26	11007426	COPERCHIO CONTEN.ACQUA P604 TRASP/NAT.		26	11007426	NATURAL/GREY WATER CONTAINER LID P604	
27	224640200	AS.FILTRO ESTERNO X CONTENITORI ACQUA	CON PART. N°28	27	224640200	EXTERNAL FILTER FOR WATER CONTAINER ASS.	WITH PART. N°28
28	140328461	OR METRICO 0190-10 IN EPDM		28	140328461	EPDM OR METRIC 0190-10	
29	140324362	OR METRICO 0060-30 IN SILICONE		29	140324362	OR METRIC 0060-30 IN SILICONE	
30	126764718	MOLLA CILINDRICA X VALVOLA CONTEN.ACQUA		30	126764718	SPRING FOR WATER CONTAINER VALVE	
31	147660562	PISTONCINO X VALVOLA CONTEN.ACQUA GRIGIO		31	147660562	GREY WATER VALVE CONTAINER PISTON	
32	11007922	AS.CONTENIT.ACQUA P604 TRASP/NAT.SER.MAX		32	11007922	NATURAL/TRANSP.WATER CONTAINER P604 ASS.	
33	147622800	PIEDINO X PIANETA CAFFE' TRASPARENTE		33	147622800	TRANSPARENT FOOT	
34	11008006	POMELLO ACQUA-VAPORE P604 ARG.SER.		34	11008006	SILVER WATER-STEAM KNOB P604 SILK/SCREEN	

Saeco®

SAECO LV AMM EXTRA V1

Rev. 03 - 30/06/09

TAVOLA 1A/3



Saeco® SIN 029



Cod.10002307-2760-61-90
Cod.2800-01-2970-71-3076

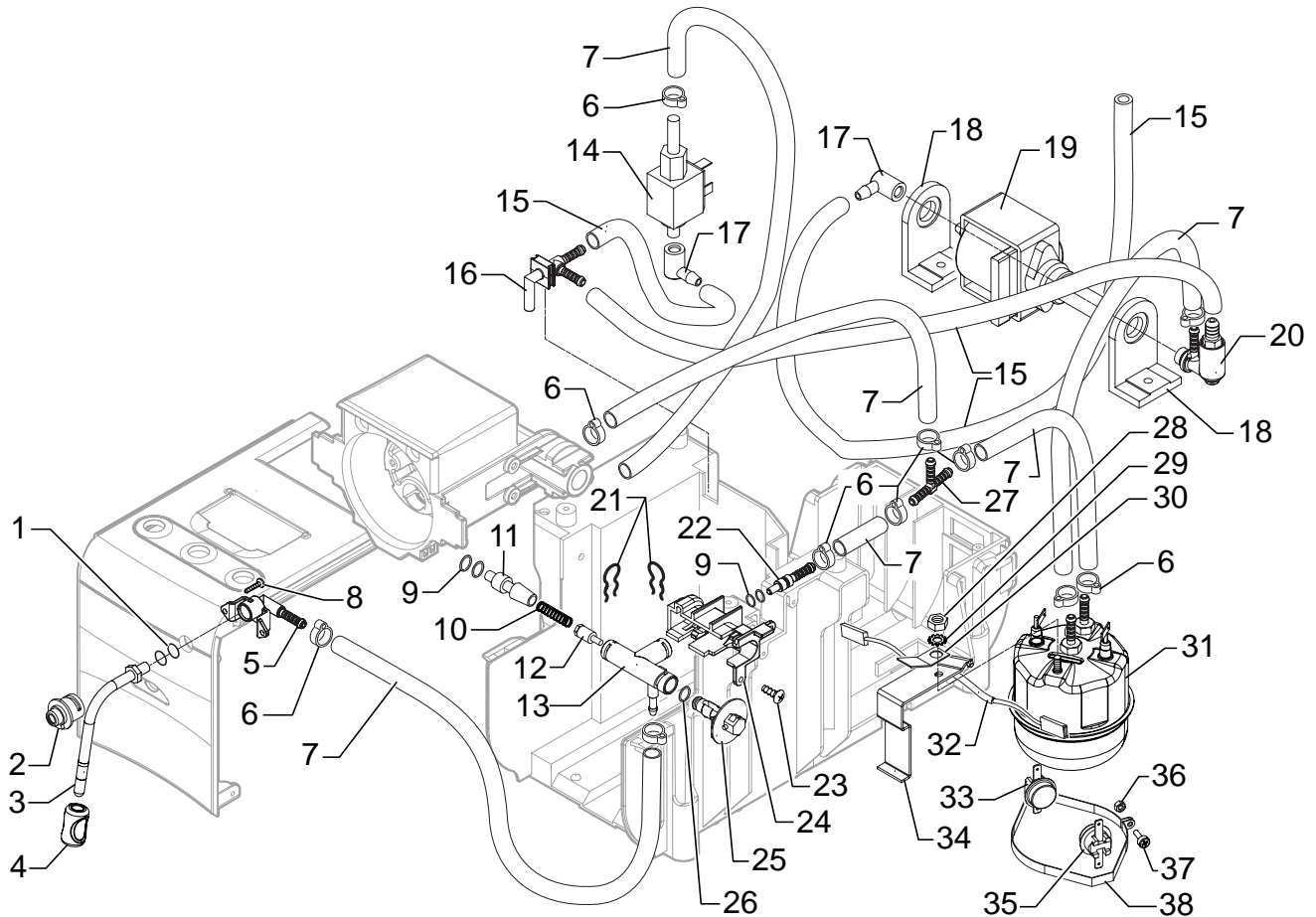
POS	CODICE	DESCRIZIONE	NOTE	POS	CODE	DESCRIPTION	NOTE
35	15001148	LIBR.ISTR.SAECO LING.(P604/E-M)		35	15001148	MANUAL INSTRUCT	
	15001501	LIBRET.ISTRUZ.SAE LV AMM EUR			15001501	INSTRUCTIONS MANUAL SAE LV AMM EUR	
	15001669	LIBRET.ISTRUZ.SAE LV AMM EO			15001669	INSTRUCT. MANUAL SAE LV AMM ORIENTAL EUR.	
	15001854	LIBRET.ISTRUZ.SAE LV AMM TWN			15001854	INSTRUCTIONS MANUAL SAE LV AMM TWN	
36	13000550	INSERTO SUP.SCATOLA P604 IN CARTONE		36	13000550	CARDBOARD UPPER INSERT BOX P604	
37	13000529	INSERTO LAT.SCATOLA P604 IN CARTONE		37	13000529	CARDBOARD LATERAL INSERT BOX P604	
38	13000528	SCATOLA LITOGR.SAECO PREMIUM/EXTRA ITA		38	13000528	DISPLAY BOX SAECO PREMIUM/EXTRA ITA	
	13000800	SCATOLA LITOGR.SAE LV AMM EUR			13000800	DISPLAY BOX SAE LV AMM EUROPE	
	13000842	SCATOLA LITOGR.SAE LV AMM EO			13000842	DISPLAY BOX SAE LV AMM ORIENTAL EUROPE	
	13000940	SCATOLA LITOG.SAE LV AMM TWN			13000940	DISPLAY BOX SAE LV AMM TWN	

Saeco®

SAECO LV AMM EXTRA V1

Rev. 03 - 30/06/09

TAVOLA 1B/3



Saeco® SIN 029



Cod.10002307-2760-61-90
Cod.2800-01-2970-71-3076

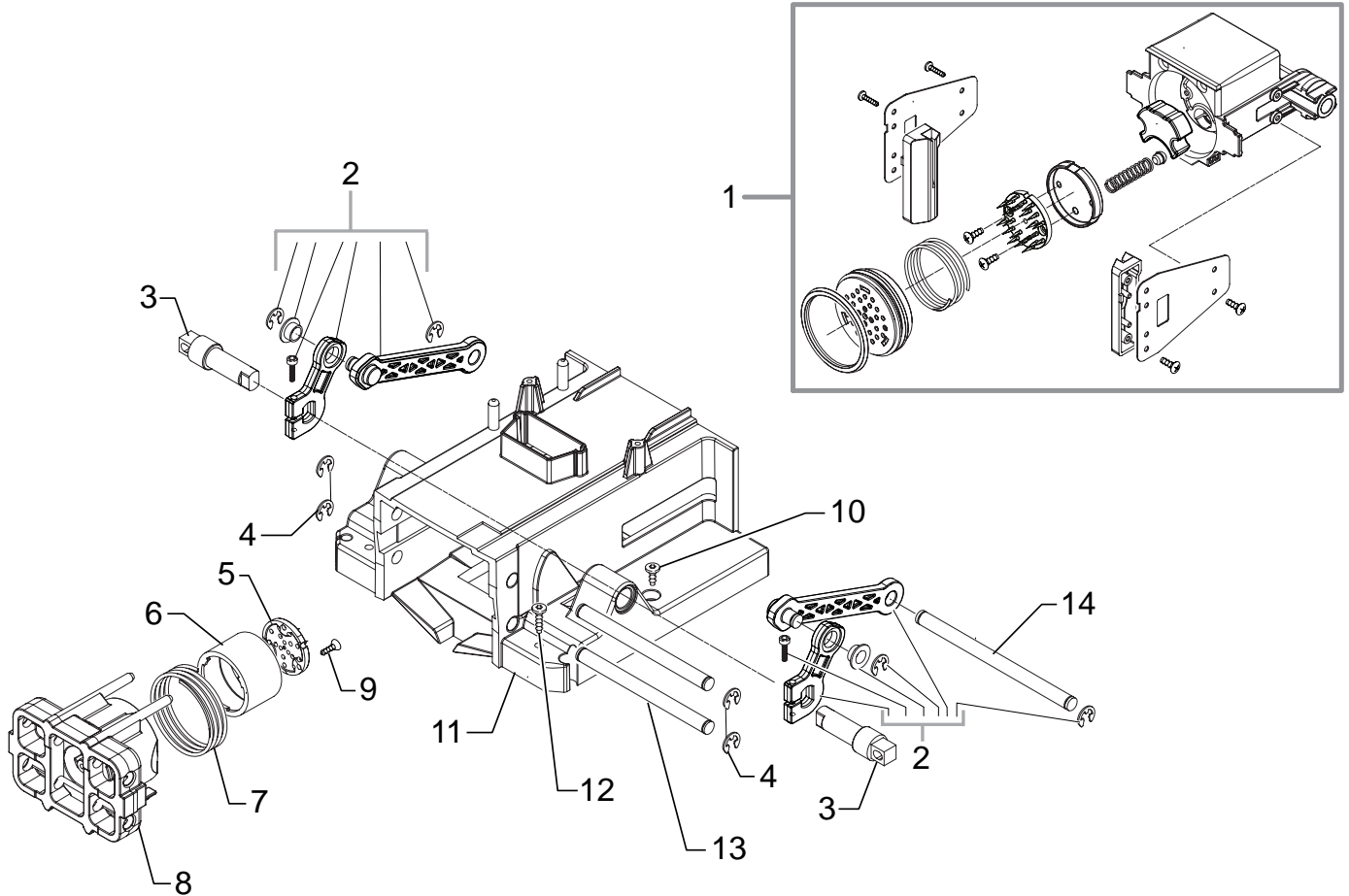
POS	CODICE	DESCRIZIONE	NOTE	POS	CODE	DESCRIPTION	NOTE
01	140324461	OR METRICO 0060-20 IN TERMOIL		01	140324461	OR METRIC 0060-20 IN TERMOIL	
02	141711350	BOCCOLA TUBO VAPORE P117 NERA		02	141711350	BLACK BUSH FOR STEAM TUBE P117	
03	11007926	AS.TUBO VAPORE + DADO P604 OT/CROMATO		03	11007926	CHROMED STEAM TUBE+NUT P604 ASSY.	
	11013342	AS.TUBO VAPORE V3 P604 OT/CROMATO	AUS		11013342	CHROMED STEAM TUBE V3 P604 ASSY.	AUS
04	11008991	IMPUGNATURA TUBO VAPORE P604 NERO		04	11008991	BLACK STEAM TUBE HANDGRIP P604	
05	11007447	RACCORDO BOCCOLA E TUBO VAP.P604 NERO		05	11007447	BLACK CONNECT. FOR BUSH+STEAM TUBE P604	
06	12000892	FASCETTA OETIKER D=9,5 16700004		06	12000892	OETIKER CLAMP D=9,5 16700004	
07	16000380	TUBO SIL.RETINATO 5X8,9 REHAU MATASSA		07	16000380	5X8,9 SILICONE TUBE IN ROLL	
08	U110.010	VITE AUT.TCB 2,9X6,5 DIN 7981 F INOX		08	U110.010	SCREW AUT.TCB 2,9X6,5 DIN 7981 F	
09	140328059	OR 2015 IN SILICONE PTFE/FDA		09	140328059	OR 2015 IN SILICONE PTFE/FDA	
10	126765317	MOLLA AC.X PIST.CALD.MAGIC 9011.007		10	126765317	STEEL SPRING BOILER PISTON MAGIC	
11	11009007	TAPPO X RUBINETTO NESPRESSO OTT/TEA		11	11009007	TEA/BRASS CAP FOR FAUCET NESPRESSO	
12	11009018	AS.PISTONCINO C/GOLA L=15,1 OTT/TEA		12	11009018	TEA/BRASS PISTON L=15,1 ASSY.	
13	11003733	RUBINETTO VAPORE OTTONE/NIKELATO		13	11003733	NIKELED STEAM FAUCET	
14	12000839	ELETTROVALVOLA CEME 5241VN1.4B.AIX	230V	14	12000839	SOLENOID VALVE CEME 5241VN1.4B.AIX	230V
	12001223	ELETTROVALVOLA JIAYIN P604	230V		12001223	SOLENOID VALVE JIAYIN P604	230V
	12001340	ELETTROVALV.CEME 5241VN1.4B..ROY	120V - TWN		12001340	ELETTROVALV.CEME 5241VN1.4B..ROY	120V - TWN
15	JS01.022	TUBO SILICONE 5X10 60 SHORE IN MATASSA		15	JS01.022	SILICONE TUBE 5X10 60 SHORE IN ROLL	
16	11007452	RACCORDO VASCA RECUP.ACQUA P604 NERO		16	11007452	BLACK DRIP TRAY CONNECTOR P604	
17	147920150	RACCORDO INGRESSO POMPA A 90°		17	147920150	90°CONNECTOR PUMP INLET	
18	11007953	SUPPORTO POMPA P604 NERO		18	11007953	BLACK PUMP SUPPORT P604	
19	12000140	POMPA ULKA EP5/S GW	230V-50HZ	19	12000140	ULKA PUMP EP5/S GW	230V-50HZ
	12000142	POMPA ULKA EAP5/S	120V-60HZ - TWN		12000142	ULKA PUMP EAP5/S	120V-60HZ - TWN
20	11004689	AS.VALVOLA DI SICUREZZA 16-18 BAR P0049		20	11004689	SAFETY VALVE 16-18 BAR P0049 ASSY.	
21	9011.144	FORCELLA X TUBO D.4		21	9011.144	FORK FOR TUBE D.4	
22	11008127	RAC.FAST LOCK TUBO SIL.RETINATO NERO		22	11008127	BLACK CONNECTOR FOR SILICONE TUBE	
23	129660302	VITE PANELVIT TCB 3X10 DIN 7505 ZNP		23	129660302	PANELVIT TCB SCREW 3X10 DIN 7505 Z	
24	11007446	SUPPORTO RUBINETTO P604 NERO		24	11007446	BLACK FAUCET SUPPORT P604	
25	140640300	ASTA RUBINETTO X SMART		25	140640300	FAUCET SHAFT FOR SMART	
26	140328561	OR D=4,18 X 1,90 IN TERMOIL		26	140328561	OR D=4,18 X 1,90 IN TERMOIL	
27	11007493	RACCORDO A T USCITA CALD.P604 NEUTRO		27	11007493	T CONNECTOR FOR BOILER P604	
28	U302.003	DADO ESAGONALE M4 UNI 5588 ZN		28	U302.003	NUT HEXAGONAL M4 UNI 5588	
29	128310402	ROSETTA UNI 8842 A4 ZINCATA		29	128310402	GALV.WASHER UNI 8842 A4	
30	124390520	FASTON PIEGATO 45° 6,3X0,8 OTTONE		30	124390520	BENT FASTON 45° 6,3X0,8 BRASS	
31	20000921	AS.CALDAIA INOX AUT-CAPS P604 C/RAC.	230V	31	20000921	SS BOILER AUT-CAPS P604 W/CONN. ASSY	230V
	20006690	AS.CALDAIA INOX AUT/CAPS P604 C/RAC.	120V - TWN		20006690	SS BOILER AUT/CAPS P604 W/CONN. ASSY	120V - TWN
32	11006956	CAV.1FILO SILIC.BLU E C/TERMOFUS.184°		32	11006956	CABLE 1WIRE SILICONE BLUE TH/FUSE 184°	
33	12000817	TERMOSTATO 87° US-622PXRNDNO		33	12000817	THERMOSTAT 87° US-622PXRNDNO	
34	11008031	SUPPORTO CALDAIA P604 ACC.		34	11008031	STEEL BOILER SUPPORT P604	
35	12000818	TERMOSTATO 127° US-622PXRNDNO		35	12000818	THERMOSTAT 127° US-622PXRNDNO	
36	U310.001	DADO AUTOBLOC.M3 UNI 7473 ZNP		36	U310.001	NUT SELF LOCK.M3 UNI 7473	
37	129570802	VITE TAPT.M3X10 DIN 7985 ZINC.		37	129570802	SCREW TAPT M3X10 DIN 7985 GALV	
38	11005973	MOLLA FERMA TERMOST.CALD.INOX AUTCAPS		38	11005973	THERMOST.FIXER SPRING BOILER AUTCAPS	

Saeco®

SAECO LV AMM EXTRA V1

Rev. 03 - 30/06/09

TAVOLA 2/3



Saeco® SIN 029



Cod.10002307-2760-61-90
Cod.2800-01-2970-71-3076

POS	CODICE	DESCRIZIONE	NOTE	POS	CODE	DESCRIPTION	NOTE
01	11007914	AS.CAMERA MOBILE MECH.P604 NERO		01	11007914	BLACK MOVE CHAMBER FOR MECH.P604 ASSY.	
02	20000940	KIT RIC.MANOVEL.MOVIMENTO MECH.P604 NER.		02	20000940	KIT SPARES BLACK CRANK MECH.MOVING P604	
03	11007486	PERNO IMPUGN.APRI/CHIUDI MECH.P604 ZAMA		03	11007486	ZAMA PIN FOR HANDLE MECH.P604	
04	12000850	ANELLO EL.BLOCC.ALBERI D=6 UNI 7434		04	12000850	LOCKING SHAFT RING D=6 UNI 7434	
05	11014278	SUPPORTO FORATORE PEEK LB2-LB5 LB4000		05	11014278	PEEK LB2-LB5UPPER DRILLING SUPPORT LB400	
06	11007467	ANELLO CAMERA FISSA MECH.P604 NERO		06	11007467	BLACK RING FOR FIX CHAMBER MECH.P604	
07	11007490	MOLLA ANELLO CAMERA FISSA MECH.P604 ACC.		07	11007490	SPRING FOR RING FIX CHAMBER MECH.P604	
08	11007466	CAMERA FISSA MECH.P604 NERO		08	11007466	BLACK FIX CHAMBER FOR MECH.P604	
09	129912621	VITE PT KB 30X8 WN 1413 INOX A2		09	129912621	SCREW PT KB 30X8 WN 1413 INOX A2	
10	129912104	VITE TORX 4X10 FILET.9786 ZINC.NERO		10	129912104	SCREW TORX 4X10 UNI 9786 GALVANIZED	
11	11007427	SUPPORTO MECH.P604 NERO		11	11007427	BLACK MECH.SUPPORT P604	
12	V411760	VITE 3.9X16 TORX		12	V411760	SCREWS 3.9X16 TORX	
13	11007485	PERNO CAMERA FISSA MECH.P604 ACC.		13	11007485	STEEL PIN FOR FIX CHAMBER MECH.P604	
14	11007484	PERNO CAMERA MOBILE MECH.P604 ACC.		14	11007484	STEEL PIN FOR MOVE CHAMBER MECH.P604	